



2-Wire Fire Alarm Control Panel

The 'ProFyre T8' 2-wire fire alarm control panel is designed for use with the ProFyre range of twin-wire detectors, manual callpoints, sounder/flashers and ancillary devices. In common with other twin-wire conventional systems on the market, T8 allows all device types to share and receive power over just two wires. The T8 takes this technology further, by providing unparalleled flexibility in both wiring topology and standard features. Depending upon the panel specified, up to 8 radial zones or 1 single loop can be accommodated, which means that the system is ideal for conventional retro-fits, new builds and HMO's.

T8 provides all of the advantages of an addressable system, with the simplicity of a conventional system and, to help achieve this, ProFyre T8 uses several default values to reduce many of the programming steps normally associated with addressable panels. By default, T8 uses LED's as the primary source of zone 'event' information and also has a supplementary backlit LCD, providing additional identification of device alarm and fault locations as well as general help when configuring the panel. This leaves only an optional device label to be entered by the installer, which is achieved using the built in keyboard.



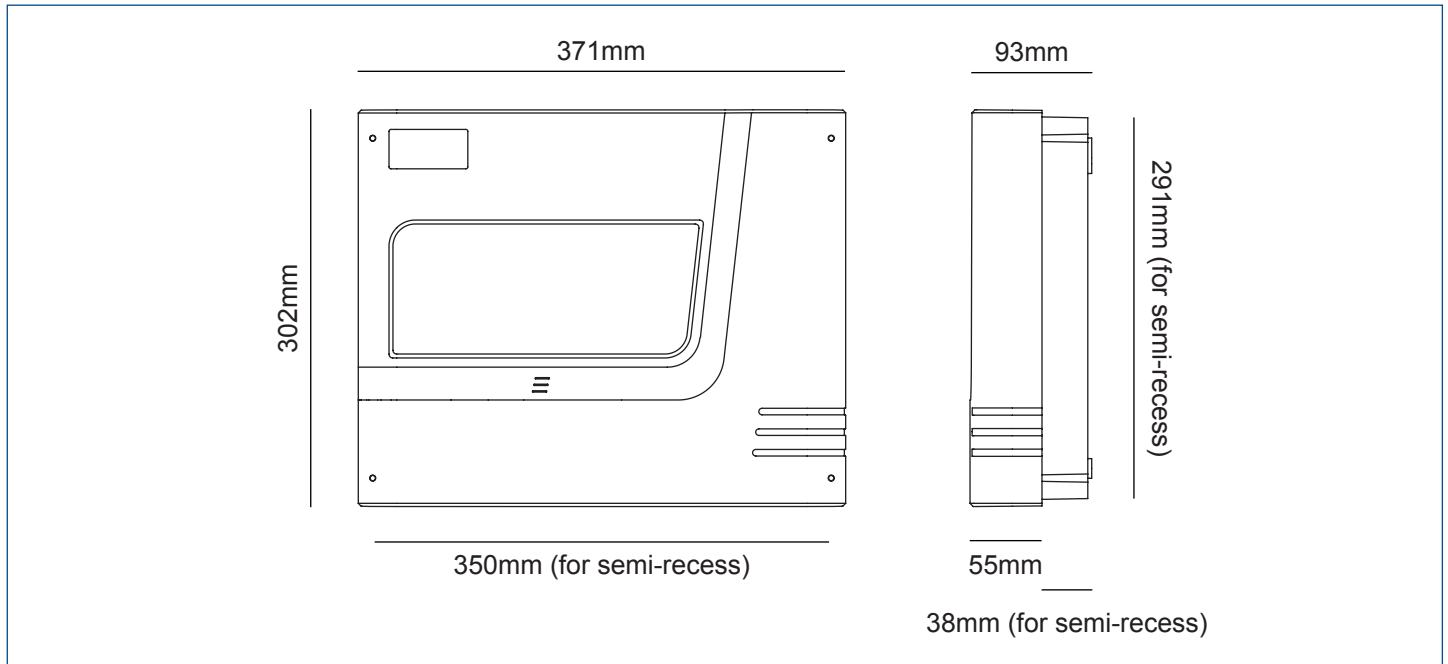
Internal electronics are on a single, removable PCB, allowing installation to be carried out at any stage without risk of damage to internal electronics and controls.

Key Features

- Detectors, call points, sounders and ancillaries connected to same two wires
- Radial (zone) or loop wiring topologies - selectable
- Selectable sounder tone (panel selected)
- Cable break identification
- Cable short-circuit protection
- Device count verification
- Programmable alarm verification (per device)
- System history (2048 events, first in, last out)
- Zone check
- One man walk test
- Key-less controls activation
- 2 conventional sounder circuits
- Combined surface / semi-recessed enclosure
- Internal switch-mode power supply
- Ability to isolate zones/sounder circuits
- High visibility blue LCD screen
- Auto configuration for easy set-up



Dimensions



Specification

Part Number	14-001	14-002	14-003	14-004	14-005	14-006
Model Number	T8-2	T8-4	T8-8	T8-2D	T8-4D	T8-8D
Class	2 Zone	4 Zone	8 Zone	2 Zone, Deep Back Box	4 Zone, Deep Back Box	8 Zone, Deep Back Box
Approvals	Designed to EN54 Part 2 & 4					
Top Cable Entries	15 x 19mm diameter entries					
Mains Voltage	230V AC +10% / - 15% @ 50/60 Hz					
Battery Voltage	24V DC (2 X 12V SLA Battery)					
System Voltage	29V DC Nominal (18 – 32 V)					
Charger Size	150mA					
Zone Voltage	28V DC Nominal (+9 volt data)					
Sounder Alarm Outputs	Loop Powered Sounders 2 x Conventional sounder circuits 28V nominal, 150mA					
Auxiliary Fault Output	1 x Fault Relay SELV@1A (Normal Energy)					
Auxiliary Fire Output	1 x Fire Relay SELV@1A					
Maximum Number of Zone	8					
Maximum Zone Capacity	Recommended Max. - 15 Devices per Zone					
Charger Voltage	27.6V @ 22-24°C (No Battery Connected)					
Battery Deep Discharge Protection	Batteries less than 19V					
Total PSU Output	2.5A					
Battery Size	3.4Ah	3.4Ah	3.4Ah	7Ah	7Ah	7Ah