

Zeta Domestic Enhanced Optical & Ionisation Smoke Alarms (ZD-SO-601, ZD-SO-610, ZD-SI-601, ZD-SI-610)



ZD-SO-601

ZD-SI-601

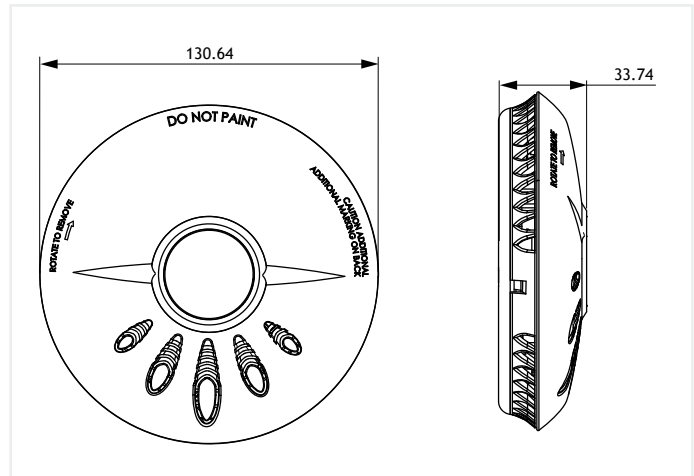


ZD-SO-610

ZD-SI-610

Features

- ✓ Elegant and ergonomic profile
- ✓ Large central test & silence button makes weekly testing and silencing easy
- ✓ Low battery warning signal



Model	ZD-SO-601	ZD-SO-610	ZD-SI-601	ZD-SI-610
Part No.	47-500	47-501	47-510	47-511
Technology	Sensor: Optical (Photoelectric)	Sensor: Optical (Photoelectric)	Sensor: Ionisation	Sensor: Ionisation
Operation AC/DC	DC	DC	DC	DC
Battery Type	Replaceable 9V battery (1 year battery included)	Non-removable integrated lithium power pack - 10 year life in normal operating conditions	Replaceable 9V battery (1 year battery included)	Non-removable integrated lithium power pack - 10 year life in normal operating conditions
Sound Output	85dB @ 3m	85dB @ 3m	85dB @ 3m	85dB @ 3m
Operating Temperature	+4°C to +50°C	+4°C to +50°C	+4°C to +50°C	+4°C to +50°C
Max Humidity	Up to 90% RH% non-condensing			
Weight	172g	229g	173g	195g
Isotope Activity	N/A	N/A	29.6 kBq (1.0 microcurie)	29.6 kBq (1.0 microcurie)