

Zeta Conventional Fire Alarm Bells

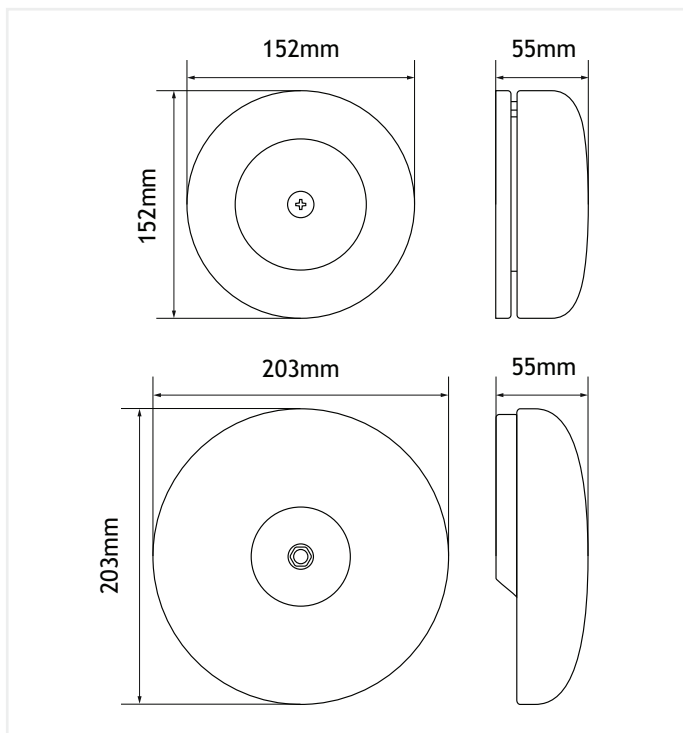
(ZTB6B, ZTB8B/230, ZTB8B & ZTB8B/WP)



ZTB6B



ZTB8B



The Zeta motorised fire alarm bells combine styling and functional efficiency. They incorporate a low power rotary centrifugal mechanism, which gives a high sound output with low current consumption at 24V dc.

The bells are available in 2 sizes; 6" (152mm) and 8" (203mm). These sizes suit a wide variety of installations.

There is a 230V ac version of the 6" bell, and a 24V dc Weatherproof version of the 8" bell.

Features

- ✓ Low current
- ✓ Universally accepted fire evacuation signal

Model	ZTB6B	ZTB8B/230	ZTB8B	ZTB8B/WP
Part No.	41-003	41-004	41-005	41-006
Supply Voltage	18-30V dc	200-250V AC	18-30V dc	
Diameter	6" (152mm)		8" (203mm)	
Quiescent Current	25mA		28mA	
Nominal Output @ 1M	95dB(A)		97dB(A)	
Dimensions	152 x 152 x 55mm		203 x 203 x 55mm	
Weight	860g	960g	1700g	1800g