

STEEL WEB STOPPERS®

UL-listed protectors for areas where abuse to smoke detectors is severe

STI borrowed from nature's master builder, the spider, to create a web of protection from vandalism and accidental damage with these nine UL-listed wire guards. Six are constructed of 9-gauge steel wire with corrosion-resistant polyester coating. Three are constructed of 9-gauge stainless steel wire. Together, they cover virtually every smoke detector model that is available today.

Backed by a lifetime guarantee

As all STI protective covers, these Steel Web Stoppers are backed by a lifetime guarantee against breakage in normal use. Installation and servicing are easy with models for both flush and surface mounting. They are highly recommended for areas where abuse to smoke detectors is severe.



STI 9609



ME A



STI 9609-SS

Features

- Patented (D368,670) web-like octagon shape of 9-gauge coated steel wire makes them extremely difficult to break.
- Fast, easy installation.
- Tamper resistant hardware is available.
- Nine models to fit virtually all smoke detectors available today.
- Simple removal for servicing detector.
- May be spray painted once prior to installation to match decor.
- UL and cUL listed (85Y2) and CSFM (7300-14:100) approved.
- Lifetime guarantee against breakage in normal use.
- Stainless steel version available in three sizes; two for flush mount, one for surface mount.



Distributed By:

VIMPEX
Shaping Alarm Technology

Dimensions and Technical Information

Models Available

- STI 9601** Fits most low-profile, standard sized detectors.
- STI 9602** Low-profile design like the STI 9601 but with added depth and knockouts for exposed conduit.
- STI 9604** Small low-profile design to fit today's smaller sized detectors.
- STI 9604-SS** Stainless Steel version of the STI 9604.
- STI 9605** Deeper version of the STI 9604 with access for conduit.
- STI 9605-SS** Stainless Steel version of the STI 9605.
- STI 9609** High profile design for larger detectors.
- STI 9609-SS** Stainless Steel version of the STI 9609.
- STI 9610** Surface mount version of the STI 9609 with conduit access.
- SUB 82** Tamper resistant screws, #8 X 1 1/2 " snake eye (quantity 4).
- 19038** Spanner bit for tamper resistant screws.

Notice

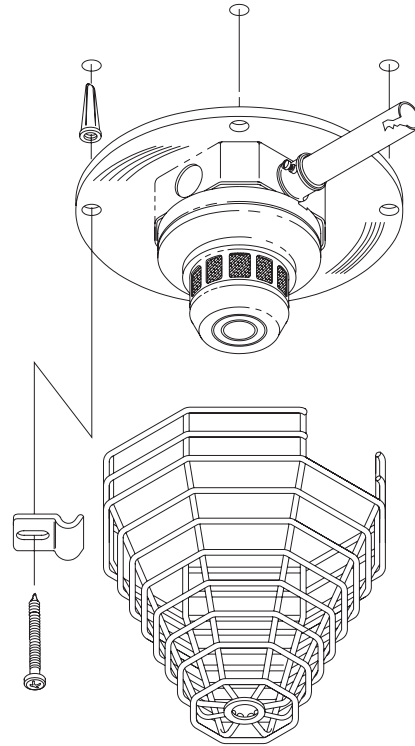
STI also offers other models of Steel Web Stoppers to cover smoke beam detectors, PIR's, bells, clocks, exit signs and similar devices. For additional information, please contact your distributor or Safety Technology International.

These drawings show internal unit dimensions.

Testing Approvals

It has been tested and/or listed by:

- Underwriter Laboratories No. 85Y2
- California State Fire Marshal No. 7300-1416:100
- MEA approved #49-00-E



Internal Dimensions

